

SGP 4432 / 4433

Fully Automatic Strapping Machine



Standard Equipment

- Adjustable seal height
- Four castors with brakes
- Closed strap arch system
- Heat seal
- Automatic strap threading device
- Automatic strap and ejection
- Swivelable control panel with digital display
- Strap loop ejection for cycles without product (SGP 4402)
- Small pressure plate
- Cycle counter
- Electrical supply cable, 5m / 5.5 yd.
- Dispenser, fitted on top side of machine
- Tablephoto eye (SGP 4403)
- Strap tension key «Soft»



Sigma Supply of North America, Inc.
824 Mid America Boulevard, Hot Springs, AR 71913

Phone: 501-760-1511
Fax: 501-760-1521
www.sigmasupply.com
equipment@sigmasupply.com

SGP 4432 / 4433

Technical Data / Layout

Technical Data

Heat weld sealing	
Preheating time	30 s
Electrical supply	Single phase AC 230 V / 50 Hz, 1PH and 115 V / 60 Hz, 1PH Tolerance -15%/+20% Main fuse 10 A

Performance at 225VAC	Mode Sleep	Mode Stand-by	Mode Oper.Max
Watt	50 W	70 W	607 W
Volt Amp	53 VA	78 VA	622 VA
Reactive Power	19 VAR	33 VAR	193 VAR
Power Factor	PF 0.61	PF 0.82	PF 0.98
COS Phi	0.94	0.91	0.99
Amp	0.28 A	0.38 A	3.0 A

Arch Dimension

Machines	Strap Width	Arch Dimension (WxH)	Strap Tension
SGP 4401	9 / 12 mm (3/8" / 1/2")	650 x 500 mm (26 x 20")	450 N
SGP 4400	9 / 12 mm (3/8" / 1/2")	650 x 500 mm (26 x 24")	450 N

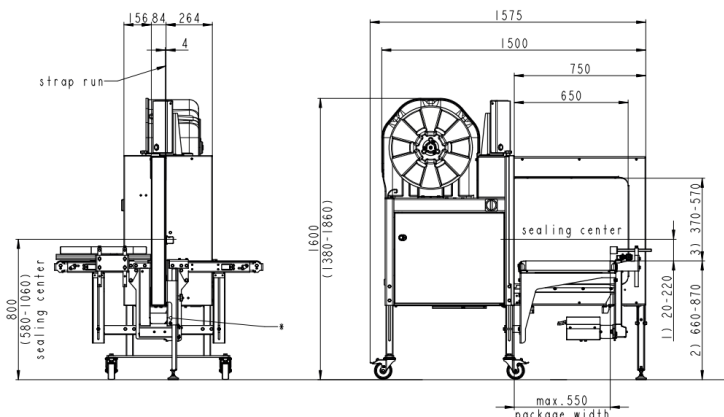
Room temperature	5 - 40°C	(41 - 104°F)
Relative humidity	10 - 85%	
Cycles per minute up to* (without conveyor)	70/min.	
Working heights	see layout	
Machine weight	240 kg	(590 lbs)
Color	stainless steel	
IP- Protection level	IP 56 / DIN 60529 + IPX9K / ISO 20653	

Packages

Width x height min.	100 x 50 mm	(4 x 2")
Width / height max.,	.750 mm	(.2")
Arch dimension		
Length min.	250 mm (10")	250 mm (10")
Weight max.	35 kg (77lbs)	35(77 lbs)

Plastic Strap (PP)

Strap width	9 mm	(3/8")
Strap thickness	12 mm	(1/2")
Strap coil, Ø inside/outside	0.40 - 0.60 mm	(0.015 - 0.024")
Strap tension manual mode, up to	200 / 430 mm	(8"/17")
Strap tension, automatic mode, up to	450 N	600 N



The polypropylene straps used for the respective applications must correspond with the strap specifications recommended by Signode!
*Performance: Depends on arch and package dimensions, conveyor speed, package distances and strap tension.